

TRANSPORTATION BARRIER

FROM PLASKOLITE



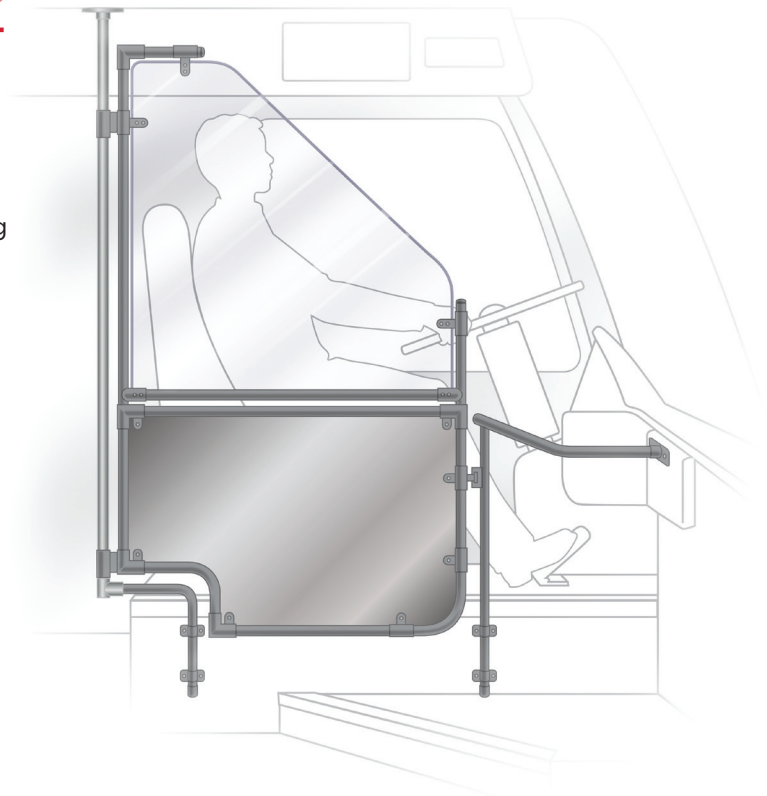
TRANSPARENT BARRIERS FOR DRIVER AND CUSTOMER PROTECTION

INSTALLING CLEAR PANELS OF TUFFAK® POLYCARBONATE SHEET HELP PROTECT TRANSPORTATION PROFESSIONALS AND CUSTOMERS

We produce TUFFAK General Purpose and TUFFAK AR polycarbonate sheets for your growing need for partitions and barriers in buses and trains.

- » High impact resistance
- » High Optical quality
- » Easy to clean*
- » Half the weight of glass
- » Conforms to FMVSS 205 ANSI Z26.1
GP is AS5 (interior only)
TG/AR is AS4, AS5 (interior/exterior)

*See page 2 for information on sanitizing and disinfecting thermoplastics



PLASKOLITE

400 Nationwide Blvd, Suite 400
Columbus, OH 43215
800.848.9124 • Fax: 877.538.0754
plaskolite@plaskolite.com
www.plaskolite.com

TRANSPORTATION BARRIER

SANITIZING ACRYLIC, POLYCARBONATE AND PETG

When disinfecting or sanitizing OPTIX® Acrylic, TUFFAK® Polycarbonate and VIVAK® PETG, proper procedures should be taken. To minimize the risk of damage, use only compatible household

cleaners as outlined below. For more details please contact the Plaskolite Technical Service Group at **800.628.5084** with any questions.

Disinfectants/Sanitizers for Plaskolite Products

Product/Brand	Manufacturer	Products	Compatibility**
TUFFAK	sBioMed, LLC	Steriplex SD	Compatible
TUFFAK	Safetec of America	Safetec surface wipes	Compatible
TUFFAK	CONTEC Healthcare	Perodox RTU	Compatible
TUFFAK	CONTEC Healthcare	Prostat sterile wipes PS-911EB	Compatible
OPTIX	Generic	hydrogen peroxide - pharmacy grade	Compatible
OPTIX	Generic	bleach - household grade	Compatible
OPTIX	Generic	isopropyl alcohol - diluted with water to 30% strength	Compatible
VIVAK	Generic	hydrogen peroxide 28%, isopropyl alcohol, or soap solution	Compatible
TUFFAK	Procter & Gamble	Clorox health care bleach germicidal cleaner	Not Compatible
TUFFAK	Unimeg Corp	Accel TB	Not Compatible
TUFFAK	Procter & Gamble	Clorox broad spectrum quaternary disinfectant cleaner	Not Compatible
TUFFAK	Zep Inc	ZEP 40	Not Compatible
TUFFAK	Zep Inc	ZEP Spirit II	Not Compatible
TUFFAK	PDI Inc	PDI Super Sani-Cloth	Not Compatible
TUFFAK	Reckitt Benckiser	Lysol disinfection spray brand III original	Not Compatible
TUFFAK	Fiberlock Technologies Inc	Shockwave disinfectant	Not Compatible
TUFFAK	CONTEC Healthcare	Preempt RTU multi-surface disinfectant cleaner	Not Compatible
TUFFAK	Procter & Gamble	Clorox regular bleach 100%	Not Compatible
TUFFAK	Procter & Gamble	Clorox regular bleach 50%	Not Compatible
TUFFAK	Procter & Gamble	Clorox regular bleach 10%	Not Compatible
TUFFAK	Procter & Gamble	Clorox regular bleach 1%	Not Compatible
OPTIX	Generic	ethyl alcohol - pharmacy grade	Not Compatible

SPECIAL NOTES: Polycarbonate, acrylic and PETG products were tested on uncoated sheets. Do not use unapproved cleaners or disinfectants on sheet products. Generally speaking soap and water, or hydrogen peroxide or isopropyl alcohol-based sanitizers work best as disinfectants on polycarbonate. Disinfectants containing hydroxides, dimethyl benzyl or ethyl ammonium chloride, ethylenediamines and hypochlorite will crack the polycarbonate sheets.

**Because manufacturers sometimes change their formulas without notification compatibility in perpetuity can not be presumed.

These suggestions and data are based on information we believe to be reliable. They are offered in good faith, but without guarantee, as conditions and methods of use are beyond our control. We recommend that the prospective user determine the suitability of our materials and suggestions before adopting them on a commercial scale.

CURBELL
PLASTICS

1-888-CURBELL

www.curbellplastics.com

Curbell Plastics is a proud supplier of Plaskolite materials.