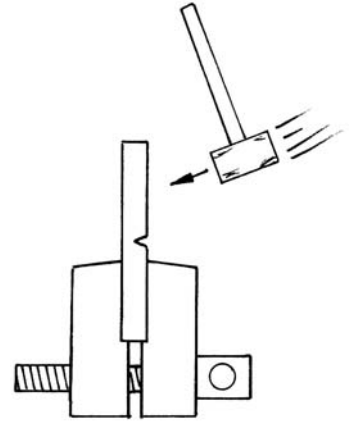


IMPACT RESISTANCE

(TOUGHNESS)



THE RELATIVE DURABILITY OF PLASTICS ARTICLES TO FRACTURE UNDER STRESSES APPLIED AT HIGH SPEEDS.

